

PLMS-OziPic'er Issue 2.
Microchip PIC programmer Hardware
designed for
Nigel Goodwin's
WinPicProg Software.
Suits common 8, 18, 28, 40 Pin PIC's

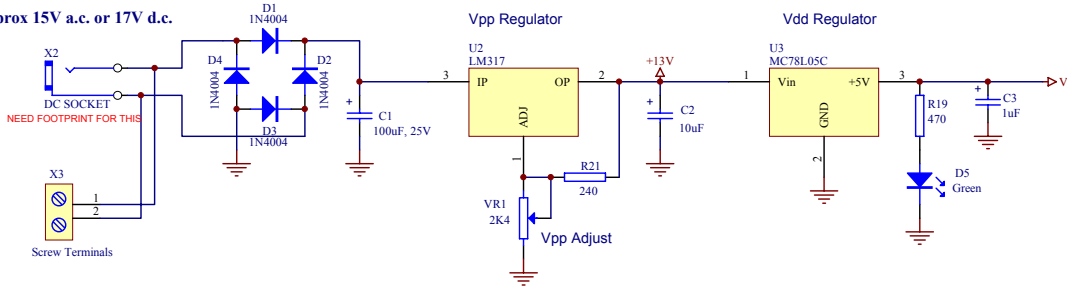
Features:
 This circuit is an alternative to the many parallel port PIC programmers that use the 7407 or 7405 type buffers.
 The 74HC14 buffer is used because of easier availability in some countries (idea from Gary Aylward's programmer). It is a Schmitt trigger type which has very good switching performance.
 In Circuit Programming (ICP) is included, Q6 performs a reset pulse just as VPP is switched to the target PIC to ensure the pic oscillator is stopped.
 Regulator for VPP is adjustable to trim out losses across the circuit and obtain the correct voltage at the PIC.

Option to eliminate using a 40 pin Aries ZIF if desired.
 A narrow socket is fitted inside the wide socket. The wide socket must have its tie bars cut off to be able to slip the narrow 28pin (or 2x20pin header sockets) inside it. This enables wide and narrow Pic's to be programmed without a ZIF socket. Remove or drill out unused socket pins to make the PIC's insert

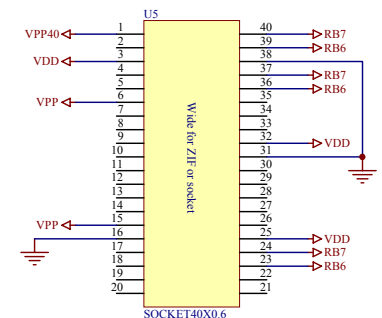
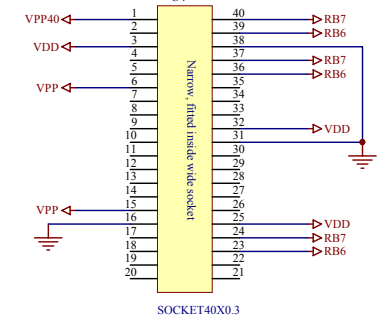
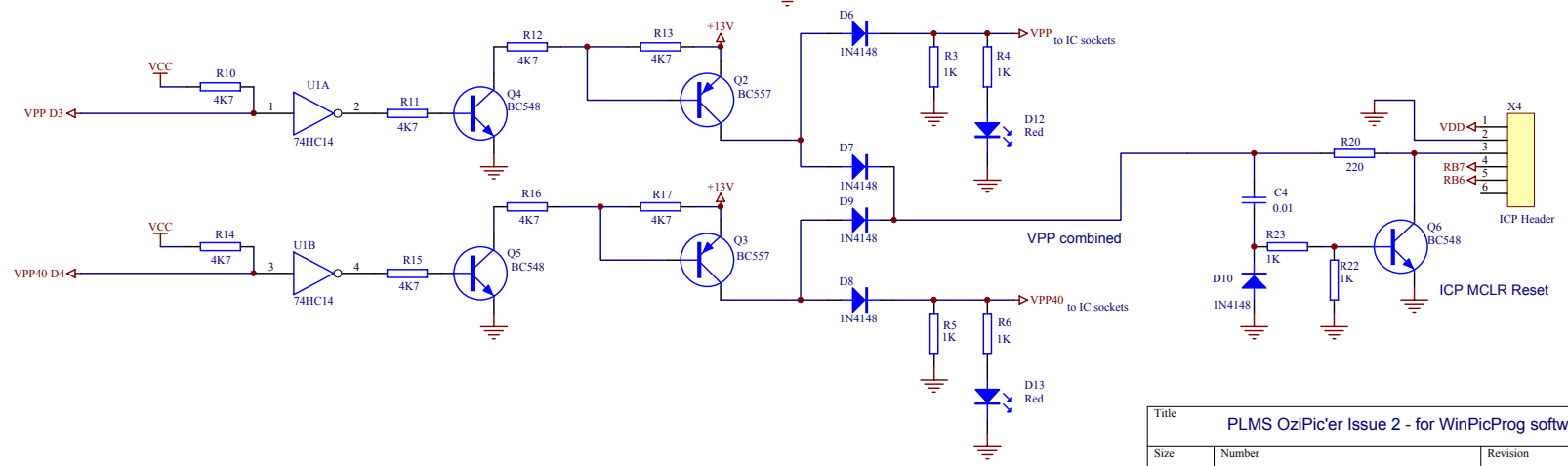
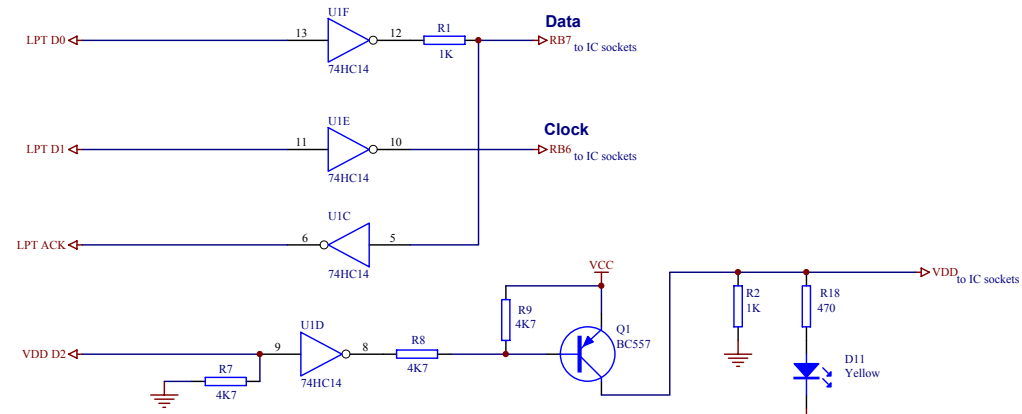
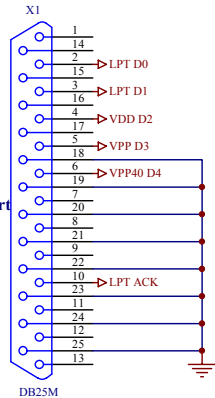
WINPICProg Settings

VDD D2 Norm
 VPP D3 Invert
 VPP40 D4 Invert
 Dout D0 Invert
 CLK D1 Invert
 Din Ack Invert

AC/DC power In - approx 15V a.c. or 17V d.c.



To PC printer port



NOTES:
 74HC14 power is pin 14 to Vcc, Pin 7 to GND.
 All resistors are 1/4.
 All caps are 16V or better unless marked.
 Use 35V for C1 if exceeding 16V AC on power supply.
 Parts Alternatives.
 BC548 - BC547, BC549, BC107*, 2N3904*
 BC557 - BC558, BC559, BC157*, 2N3905*
 1N4148 - 1N914
 * Check pinouts & re-orientate.
 PIC placement (same as P16PRO by B.Dobaj).
 40 Pin - Top of sockets.
 28 Pin - Top of sockets.
 20 Pin - Bottom of sockets.
 18 Pin - Bottom of sockets.
 8 Pin - Pin 1 of PIC to pin 3 of the socket.
 See Nigel Goodwin's WinPicProg Software, for types supported.
 By PLMS Designs, Adelaide Australia.
 For the WinPicProg Web Site

Title		
PLMS OziPic'er Issue 2 - for WinPicProg software		
Size	Number	Revision
A3		
Date:	19-Feb-2003	Sheet of
File:	D:\Client98\PLMS-OziPic'er- issue2 Prod	Drawn By: PLMS Designs